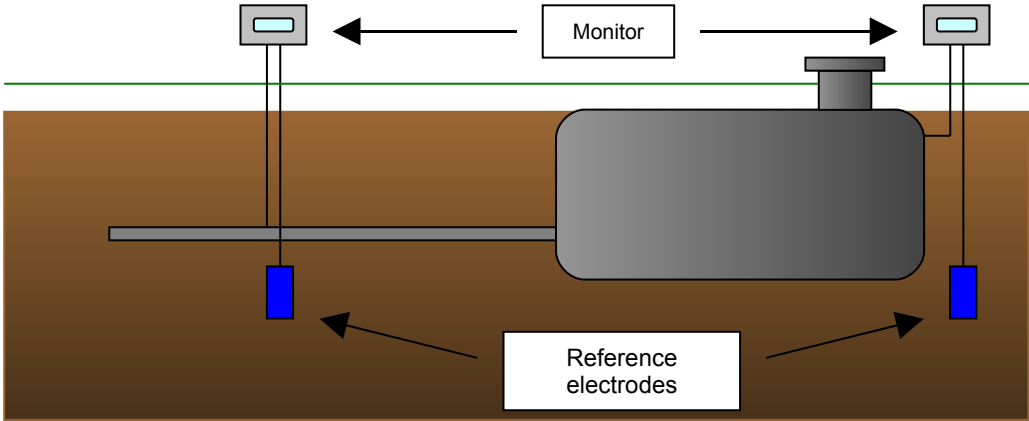
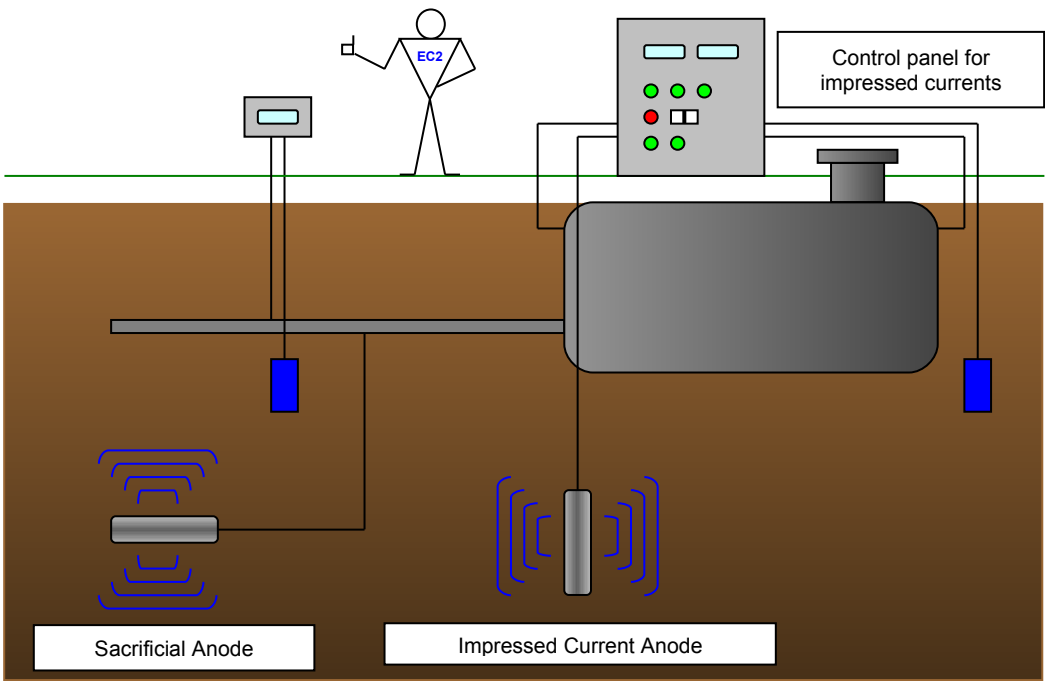


# CORROSION CONTROL



Monitoring systems use reference electrodes (half cells) that check the corrosion potential of the structures, allowing maintenance to be planned and consequent repairs.



The underground structures can be cathodically protected by means of sacrificial anodes or impressed current systems, to significantly reduce the corrosion while cutting maintenance costs and pollution risks.